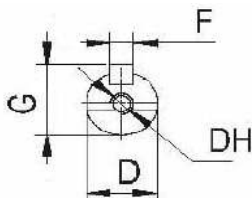
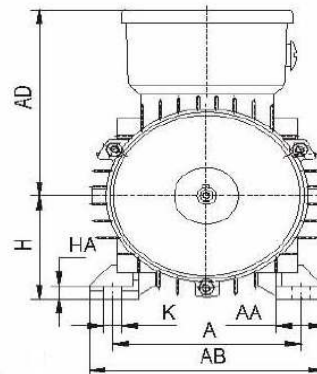
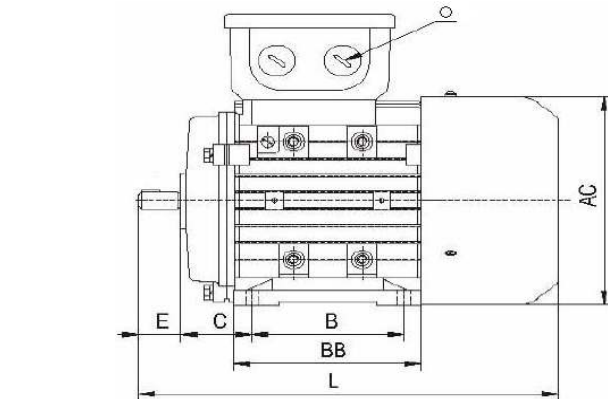


E.M.C. Electrical Motors Company -- MS SERIES --

COSTRUTTORE CONSTRUCTEUR MANUFACTURER	MOSCA MOTORI Srl	GRANDEZZA & TIPO TAILLE & TYPE SIZE & TYPE	MS 132 MB2	EFFICIENZA EFFICIENCY EFFICACITÉ	IE1
POTENZA NOMINALE PUISSANCE NOMINALE NOMINAL POWER	11,00 kW	VELOCITA' VITESSE SPEED	2.900 Rpm	CARCASSE BODY CARCASSE	ALLUMINIO
TENSIONE TENSION RATED VOLTAGE	400 V	FREQUENZA FREQUENCE FREQUENCY	50 Hz	PESO POIDS WEIGHT	64 kg
CORRENTE NOMINALE COURANT NOMINAL RATED CURRENT	19,9 A	COPPIA NOMINALE COUPLE NOMINAL RATED TORQUE	36,224 Nm	SERVIZIO SERVICE SERVICE	S 1
SOVRATEMPERATURA ECHAUFFEMENT TEMPERAURE RISE	B	CLASSE ISOLAMENTO CLASSE ISOLATION INSULATION CLASS	F	TEMP. AMBIENTE TEMP. AMBIANCE AMBIENT TEMP.	40 °C
Ma / Mn Md / Mn Ms / Mn	2,2	Mmax / Mn Mmax / Mn Mmax / Mn	3,1	la / In ld / In ls / In	7
FATTORE DI POTENZA FACTEUR de PUISSANCE POWER FACTOR	0,89	RENDIMENTO RENDEMENT EFFICIENCY	89,5 %	MOMENTO INERZIA ROT. INERTIE ROTOR ROTOR INERTIA	0,028 Kgm2
FORMA COSTRUTTIVA FORME MOUNTING POSITION	B 3	PROTEZIONE IP PROTECTION IP ENCLOSURE IP	55	TROPICALIZZATO TROPICAL TROPICALISE'	NO
TETTUCCIO PARAPIOGGIA DARIN COVER PARA - PLUIE	NO	SCARICO CONDENSA DRAIN HOLE TROU DE POURGE	NO	VERNICIATURA PAINTING PEINTURE	Ral 5010 Blue
TIPO CUSCINETTO TYPE de ROULEMENT BEARINGS TYPE	→	Lato Comando Cote Accouplement Drive End Side	6308-2RS C3	Lato Opposto Cote Opposée Non Drive End Side	6308-2RS C3
LUBRIFICAZ. GRASSO LUBRIFICATION GRAISSE LUBRIFICATION GREASE	--	ORE HEURES HOURS	--	RESIST.ANTICONDENSA RESIST.de RECHAUFFAGE SPACE HEATERS	-- V -- W
PROTEZIONE TERMICA PROTECTION THERMIQUE THERMAL PROTECTION	--	CUSCINETTO ISOLATO INSOLATED BEARING ROULEMENT ISOLEE	NO	VENTILAZIONE ASSISTITA VENTILATION FORCEE' FORCES VENTIALTION	-- kW -- V -- A
SENSO DI ROTAZIONE DIRECTION OF ROTATION SENSE DE ROTATION	CW / CCW	ENCODER ENCODER CODEUR	NO	NORME NORMES STANDARD	IEC & CE



FEET DIMENSION							
C	B	A	AB	BB	K	AA	HA
89	178	216	260	222	12	57	13

OVERALL DIMENSION			
L	AC	H	AD
515	275	132	178

SHAFT DIMENSION				
D	E	G	F	DH
38	80	41	10	M12

TERMINAL BOX		
Std On the Top, removable feet for Terminal box on the RH & LH side	4 X 90° Cable Entry	O m25

NOTE :	1) --	2) --	3) --
---------------	-------	-------	-------

DRAWING CODE
MS 132 MB

ACCORDING TO IEC & CE NORMS

Preliminary Technical Sheet
Revision : 3 Agosto 2009

MS 132 MB2